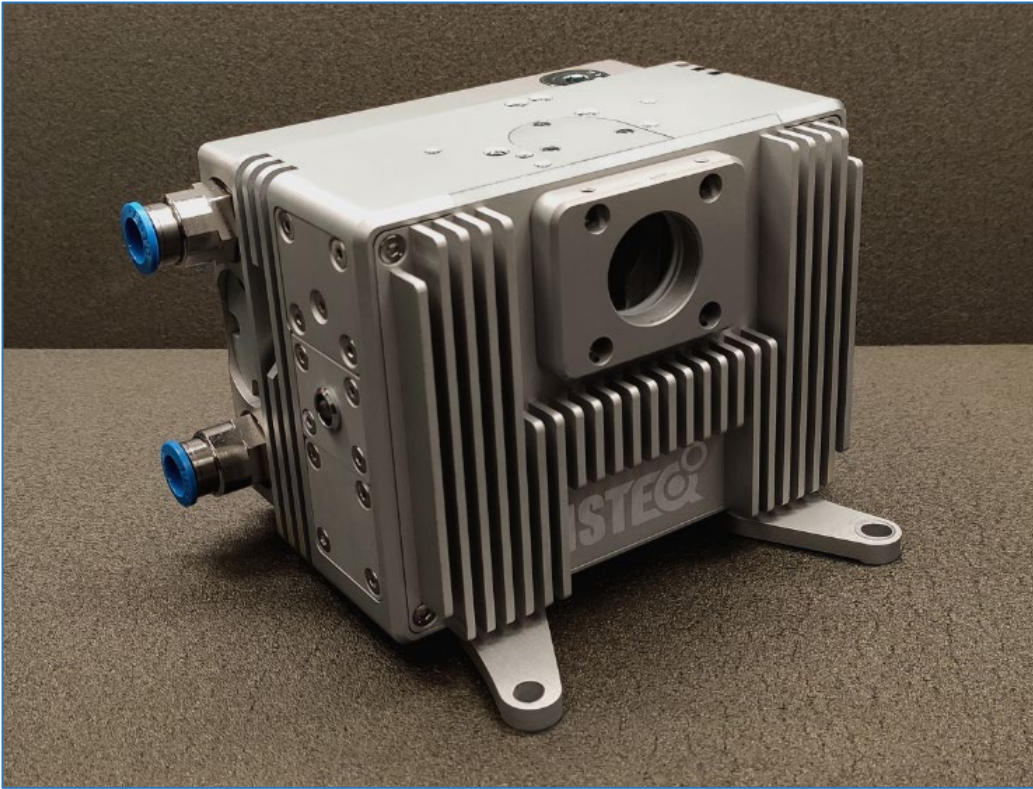


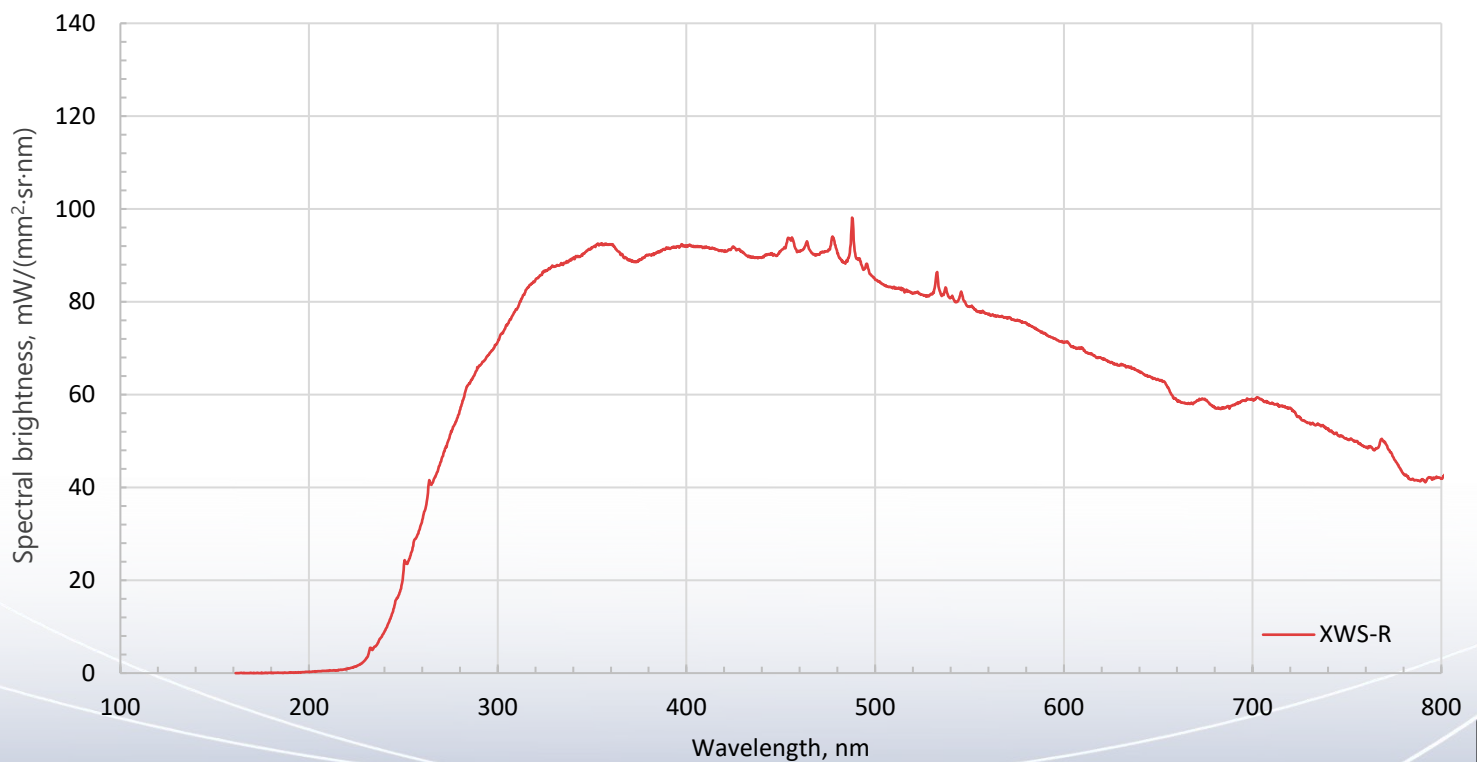
XWS-R high power light source



光谱特点:

- 高功率版本:与默认XWS-65相比,输出功率/亮度几乎翻倍
- 光谱亮度: up to 90 mW/(mm²·sr·nm)
- 可在两种情况下完成: 自由空间和FCU配置
- FCU版本的光纤输出功率高达1W

Spectral brightness of XWS-R light source in UV and VIS spectral region



XWS-R high power light source

XWS-R 参数

光谱范围	190 - 2500nm for UV configuration, 250 - 2500nm for OFR configuration
光谱亮度	Up to 90mW/(mm ² ·sr·nm)
输出功率	Up to 5 W free space per port Up to 1 W via fiber per port
灯介质	Xenon
发射体尺寸	250×700um
使用寿命	10,000 hours
时空稳定性	STD < 0.15%

光学设计

默认输出NA	0.4, up to 0.55 upon request
默认外部光接口	C-mount
可选的输出接口	Thorlabs SM1, 30mm cage and more
光纤接口(仅针对FCU版本)	SMA or FC

可选配置

光源光谱	UV or Ozone free
光输出	Free space or fiber coupled
光源冷却装置	Air cooling
电源模块(Power Supply Unit)冷却系统	Air or water cooling

附加选项

连接电脑/笔记本电脑	Ethernet (Web interface), COM-port (RS232)
联锁	Db-15 connector
远程等离子体控制	Db-15 connector

系统尺寸和重量

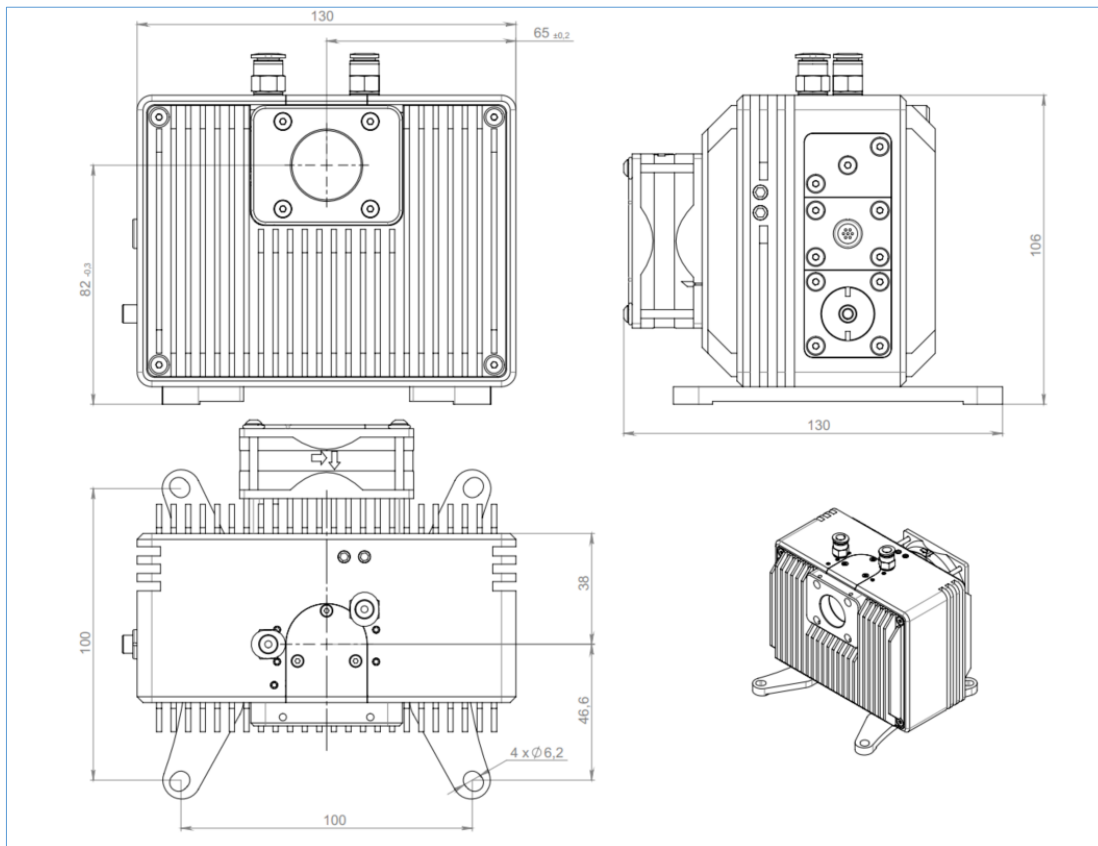
光源	130 × 130 × 74mm, 2kg
电源模块	351 × 172 × 232mm, 8kg

厂家要求

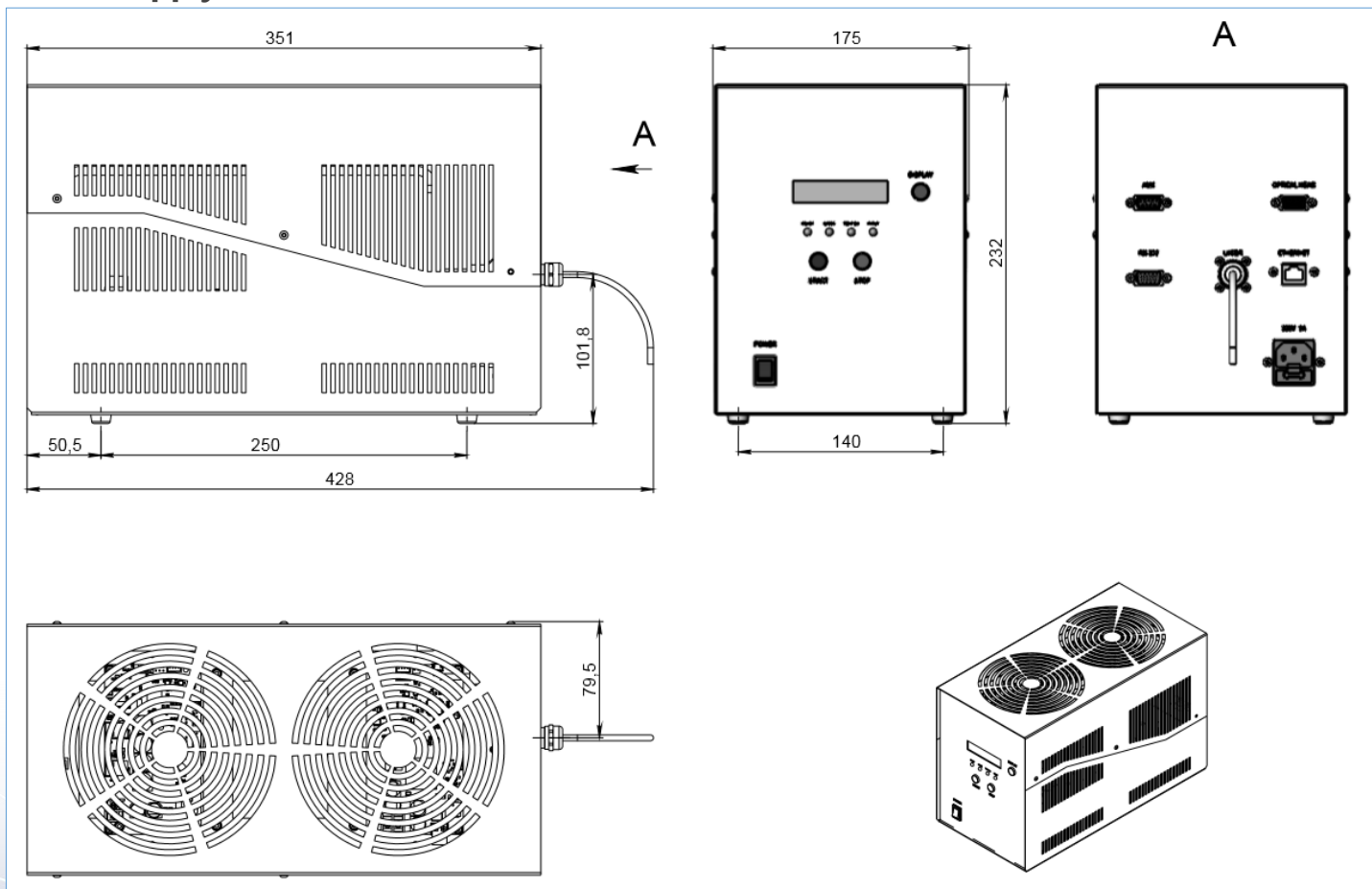
电源	100-240V, 50/60Hz
气体吹扫(仅适用于UV配置)	Nitrogen or Argon purging, 1l/min

XWS-R high power light source

Optical head dimensions:



Power Supply Unit (PSU) dimensions:



Contacts

ISTEQ B.V. is located in the High Tech Campus Eindhoven which is famous as the “smartest km²” in The Netherlands. The campus holds more than 125 companies and institutes with more than 10,000 researchers, developers and entrepreneurs working on developing future cutting edge technologies and products.



北京众星联恒科技有限公司

电话: 010-86467571

邮箱: sales@top-unistar.com

地址: 北京市海淀区信息路1号 国际创业园
西区 2号楼1305 邮编: 100085

网址: www.top-unistar.com